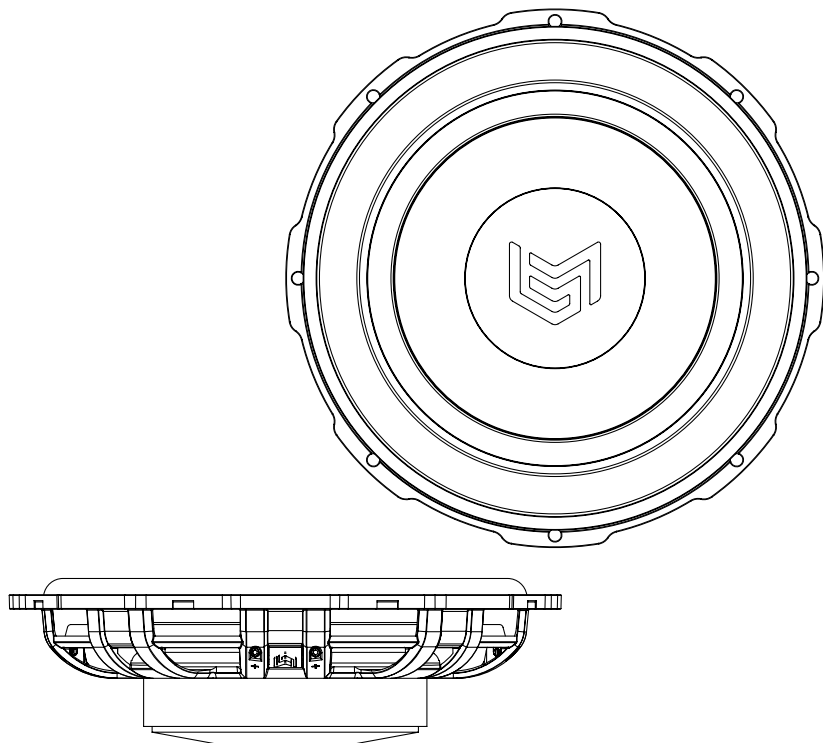




INSTALLATION MANUAL

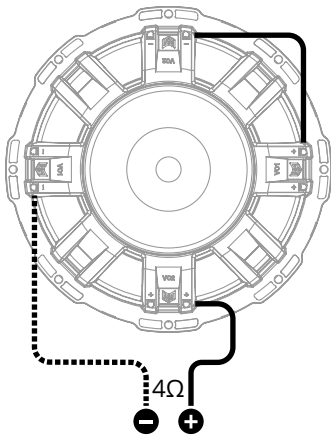
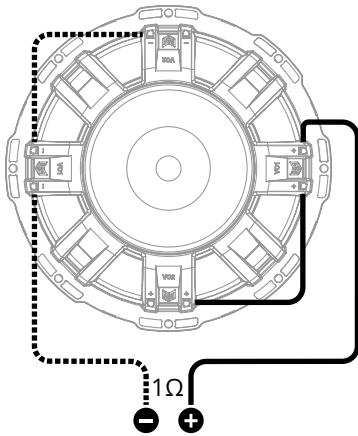
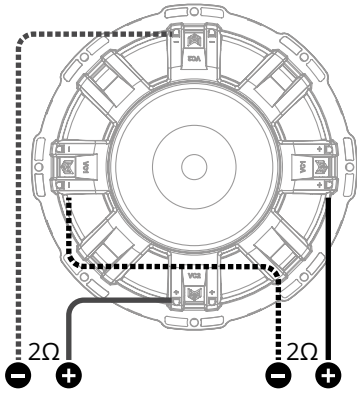


BXA S8FL S2.1 • BXA S8FL D2.1

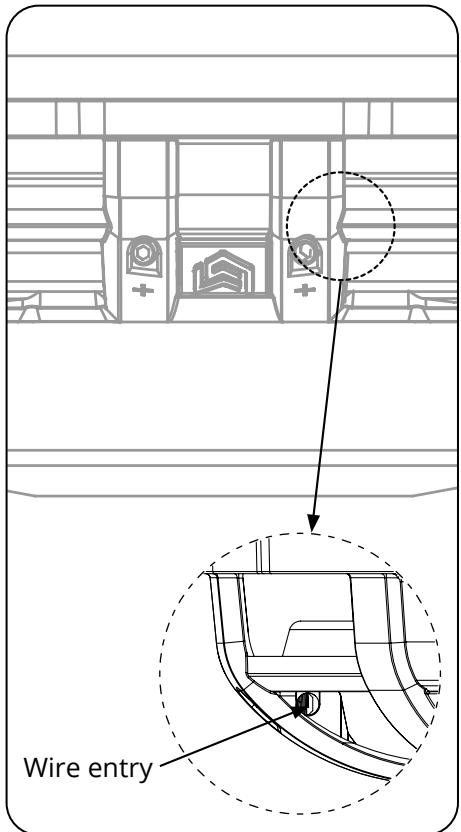
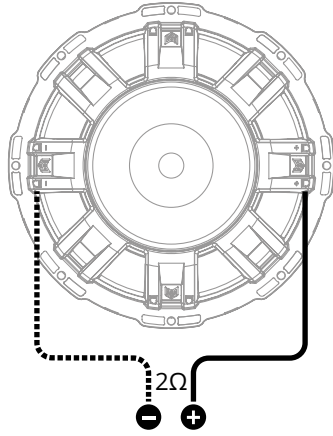


Connection

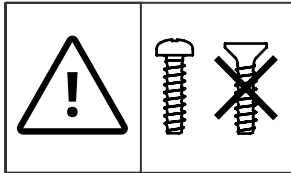
BXA S8FL D2.1



BXA S8FL S2.1

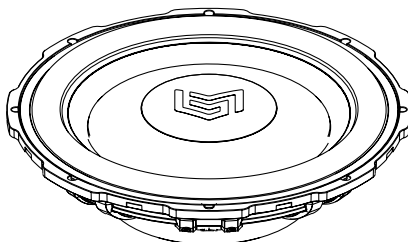
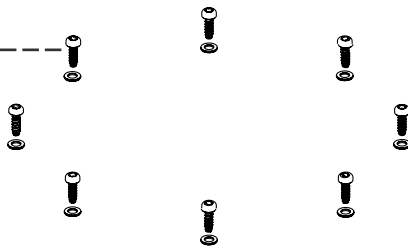


Mounting

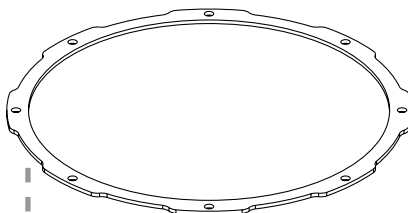


Attention:

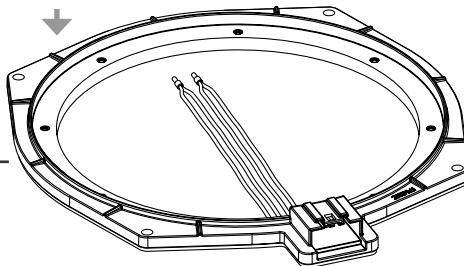
To avoid damage to the speakers, do not use countersunk screws and do not overtighten the screws!



Attach the foam gasket to the mounting surface (self adhesive)



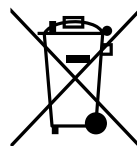
Car specific adapter ring (sold separately)



Correct Disposal of This Product

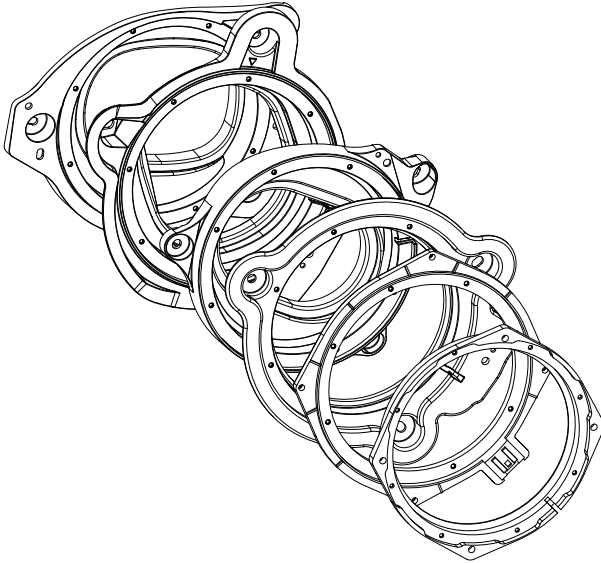
(Applicable in the European Union and other countries with separate collection systems)

If you want to dispose this product, do not mix it with general household waste. There is a separate collection system for used electronic products in accordance with legislation that requires proper treatment, recovery and recycling. Contact your local government office for details in locating a recycle facility close to you. Proper recycling and waste disposal will help conserve resources and prevent detrimental effects on our health and the environment.





BOXMORE



visit our website www.boxmore.eu for an up-to-date overview of available car-specific adapter rings.



BOXMORE EUROPE B.V.
Wanroijseweg 32a • 5451 HA Mill • Netherlands
www.boxmore.eu