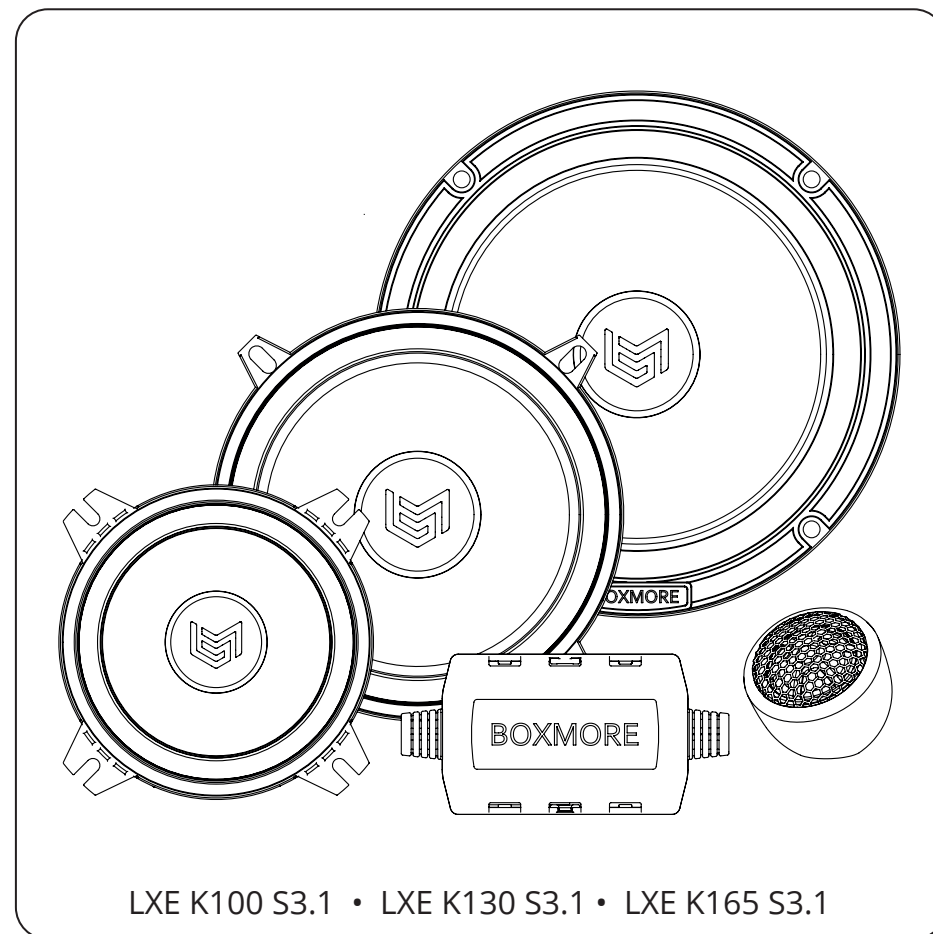




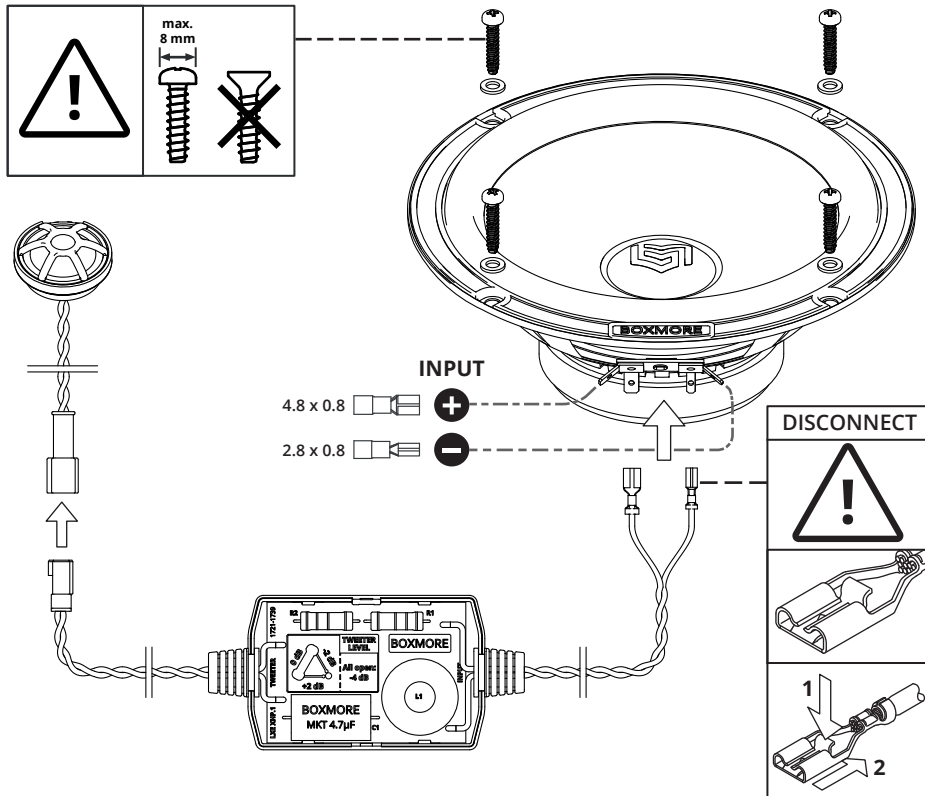
INSTALLATION MANUAL



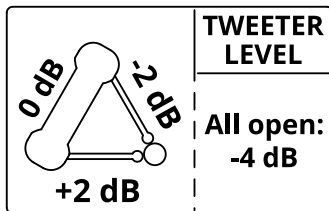
BOXMORE EUROPE B.V.
Wanroijseweg 32a • 5451 HA Mill • Netherlands
www.boxmore.eu

LOGIX
essential

Connection Diagram



Tweeter Level

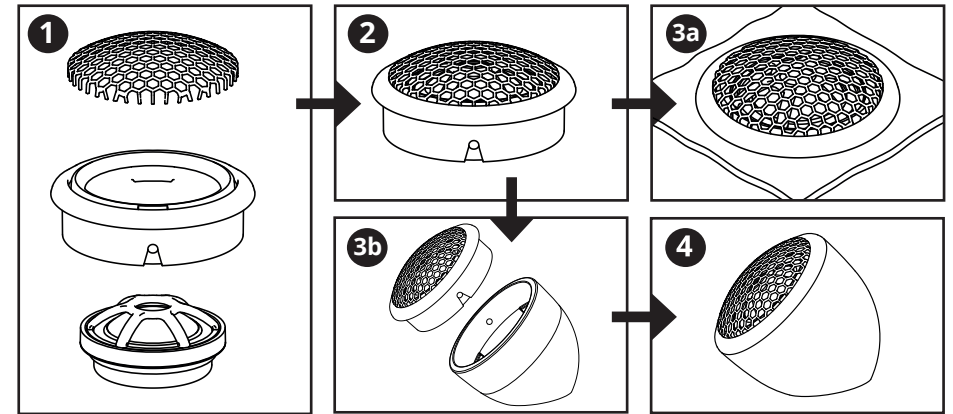


The correct tweeter level setting strongly depends on the location of the speakers. It is recommended to use the settings in table 1 as a starting point. Then confirm the level by listening to the speakers and modify the jumper setting if needed.

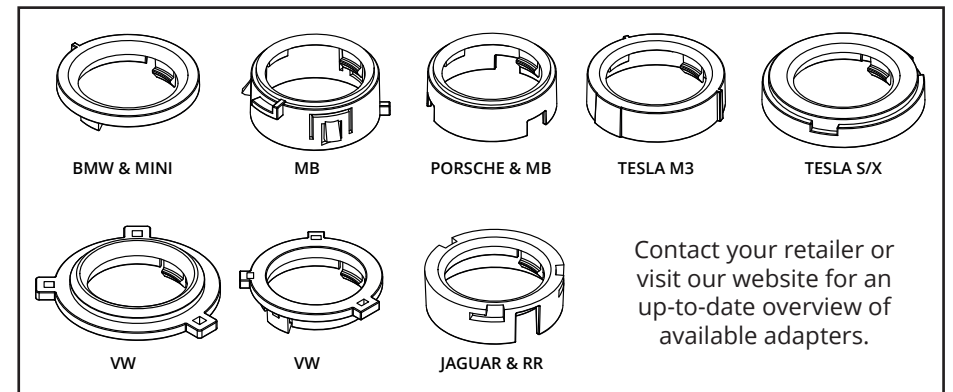
Table 1

System	Level	Jumper
LXE K100 S3.1	-4 dB	+2 dB
LXE K130 S3.1	-2 dB	+2 dB
LXE K165 S3.1	0 dB	+2 dB

Tweeter Mounting Options



Car Specific Tweeter Adapters (sold separately)



Contact your retailer or visit our website for an up-to-date overview of available adapters.

Correct Disposal of This Product

(Applicable in the European Union and other countries with separate collection systems)

If you want to dispose this product, do not mix it with general household waste. There is a separate collection system for used electronic products in accordance with legislation that requires proper treatment, recovery and recycling. Contact your local government office for details in locating a recycle facility close to you. Proper recycling and waste disposal will help conserve resources and prevent detrimental effects on our health and the environment.

